



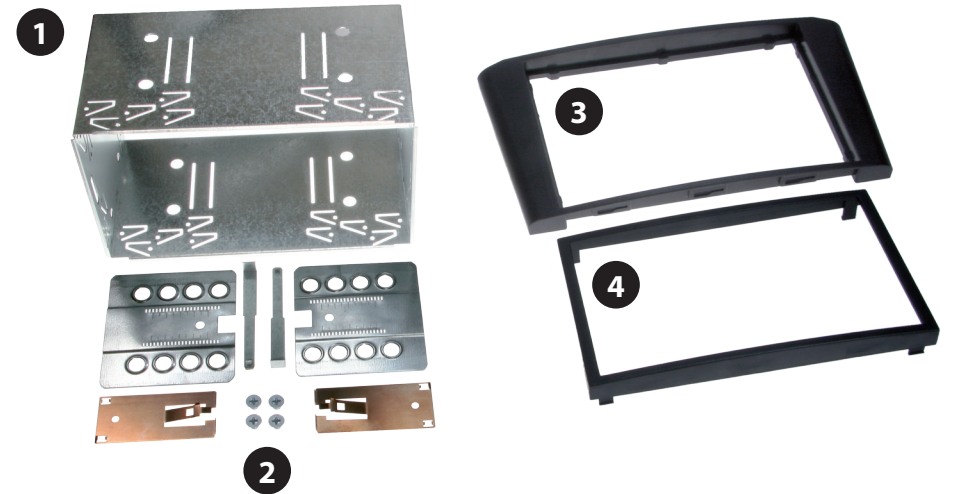
Installation Manual Double DIN Kit

Standard: 381300-06

Rubber-Touch: 391300-06

• Toyota Avensis (T25)

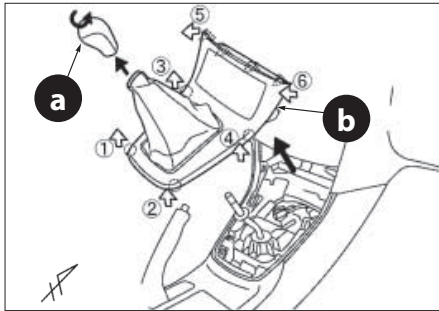
Compatible with double DIN devices



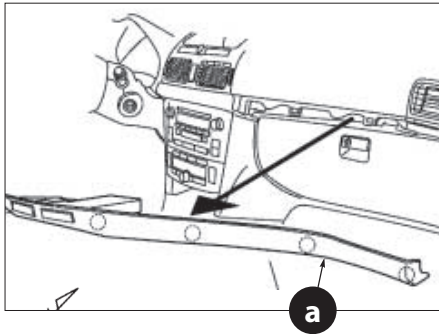
Double DIN Set contents

- (1) Metal Frame
- (2) Installation Kit
- (3) Mounting frame
- (4) Facia Plate

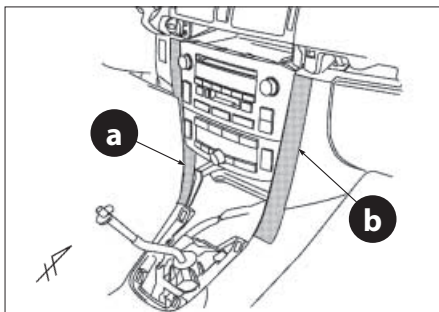
Installation Manual Double DIN Kit 381300-06 / 391300-06



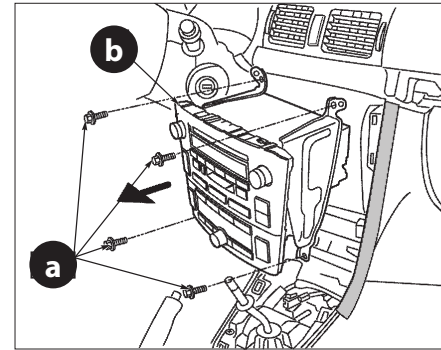
1. Remove the shift knob (a) and shift cover panel (b).



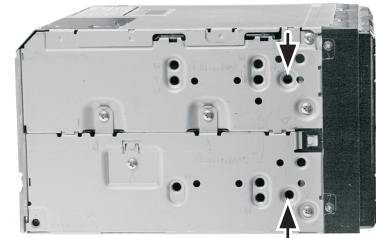
2. Remove dashboard panel (a)



3. Remove side panels left (a) and right (b).

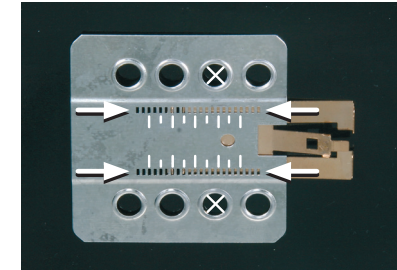


4. Remove the 4 screws (a)
Remove the OEM head unit (b)



(sample photo)

Mount the metal brackets to the double DIN head unit.



(sample photo)

The position of the copper coloured holder can be adjusted to your needs for perfect fit. (see sample)

5. Place the facia plate on the dashboard. Push the metal frame into the facia plate. Connect all required circuit points and push the double DIN head unit in the metal frame until it snaps in. Place the trim frame. Reinstall everything in reverse order to finish installation.